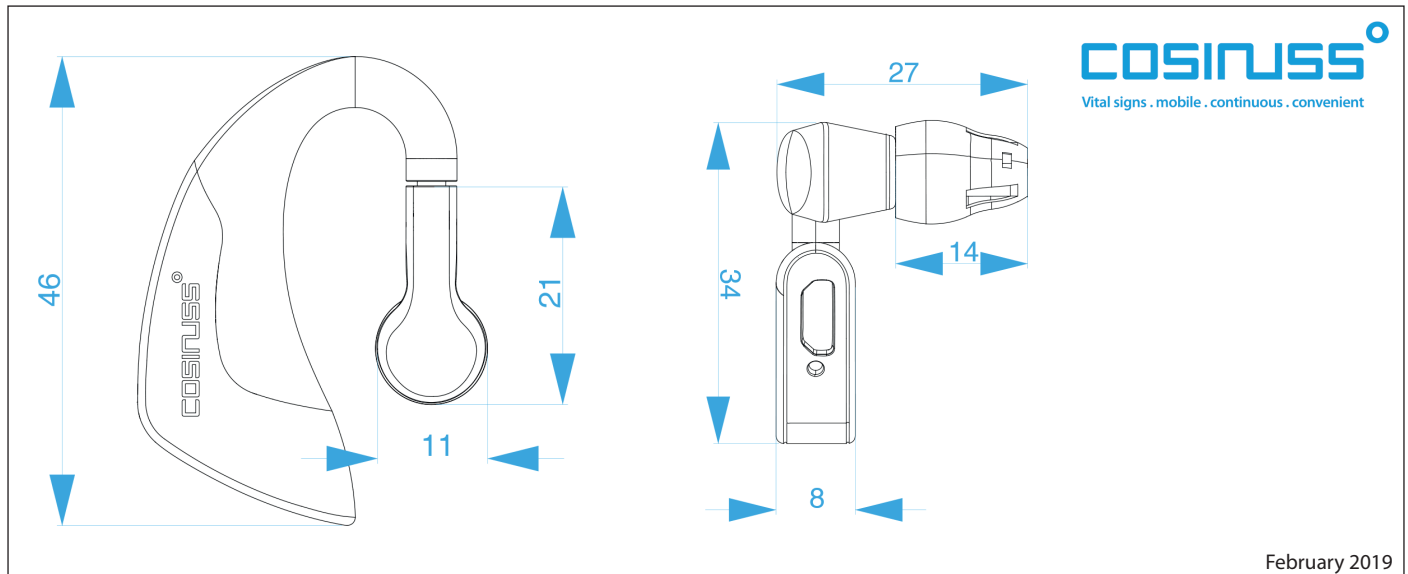


The worlds lightest wireless in-ear heart rate monitor.
The first wearable ever to additionally monitor body temperature during your activities.

- Convenient and secure fit
- Precise monitoring of vitals
- Award winning design



February 2019

General Information

Overall Size	H 45 x W 38 x D 18 mm
Overall Weight	6.5 grams
Wearable	Wireless sensor inside the outer ear canal applicated with an ear clamp and processing unit behind the ear. Left/right neutral.
Operating temperature	-15 to 55 °C
Charging temperature	0 to 45 °C
Certification	Bluetooth Low Energy, ANT+, CE (Declaration of Conformity - www.cosinuss.com/compliance)
Warranty	1 year
Material	Thermoplastic, Silicone
Scope of supply	1x cosinuss° One sensor, 1x USB charging cable, 1x hardshell-case, 1x manual, cosinuss° One app (download)
Waterproofness	Splash-water proof



Technology

Type of sensors	Optical Heart Rate sensor (LED and photo-diode), resistance temperature sensor, 3D-axis accelerometer	
Vitalsigns	Heart Rate, Heart Rate Variability, Body Temperature	
Sampling Rate	100 Hz	
Wireless-Technology	Bluetooth Low Energy or ANT+	<i>After turning on the device it will send out both signals during initialization. Bluetooth low energy and ANT+. In the first three minutes you can pair the Bluetooth connection with your receiving device. Otherwise ANT+ will be sending continuously. As soon as paired the unconnected signal will be turned off.</i>
cosinuss° earconnect™ Technology	<i>The cosinuss° earconnect™ technology holds two technology patents. WO2012168388 and WO002015062999A1. The cosinuss° brand and logo are protected worldwide. The brand "earconnect" is protected in Europe.</i>	

Optical Heart Rate Sensor

Type of sensor	Optical Heart Rate Sensor		
Method of measurement	Circummission-Method		
Accuracy of measurement	±1 beats per minute (bpm)	Range of measurement	35 - 220 bpm
LED colour spectrum	Green		

Resistance Temperature Sensor

Type of sensor	Pt1000		
Method of measurement	Resistance Temperature Sensor		
Accuracy of measurement	± 0,1 °C	Range of measurement	From 0 to 50 °C

3D-Axis Accelerometer

Type of sensor	3D-Axis Accelerometer (linear)
Accuracy of measurement	$\pm 0.002 \text{ m/s}^2$
Range of measurement	- 4.0 to 4.0 m/s^2

Bluetooth

Version	Bluetooth Low Energy - specification version 4.0
Frequency	ISM band 2.4 - 2.485 GHz
Transmitting power	4 dBm
Range of transmit	approx. 10 meters
Connected devices	1 device
Data transfer rate	1 Hz
Supported Services	Battery Service, Device Information Service, Health Thermometer Service, Heart Rate Service



ANT+

Version	ANT+
Frequency	ISM band 2.4 - 2.485 GHz
Transmitting power	4 dBm
Range of transmit	approx. 10 meters
Connected devices	unlimited
Data transfer rate	4 Hz
Supported Services	Environment, Heart Rate Monitor



Battery

Typ	Lithium-ion battery
Electric charge	50 mAh
Battery Life	approx. 7 hours
Charging time	approx. 1 hour
Standby time	up to 5 months

Compatibility

Android Apps	Android 4.3 or higher
iPhone Apps	iPhone 4s or higher
Smart Devices	All devices featuring Bluetooth low energy (4.0) or ANT+

cosinuss° One App

Google Play Store	for free: support.cosinuss.com
Apple App Store	for free: support.cosinuss.com



IMPORTANT:

Using the cosinuss° One app you receive over the air firmware updates of your cosinuss° One for free. The cosinuss° One app shows you the accuracy of the current positioning inside your ear defining the quality of measurement. Additional to your exercise parameters and vital signs the battery load of the cosinuss° One is displayed.

Awards



Contact und Support

Cosinuss GmbH Kistlerhofstr. 60 D-81379 München	www.cosinuss.com store.cosinuss.com www.facebook.com/cosinuss.wearables
Tel.: +49 (0)89 740 418 32 E-Mail: info@cosinuss.com	Support: support.cosinuss.com

